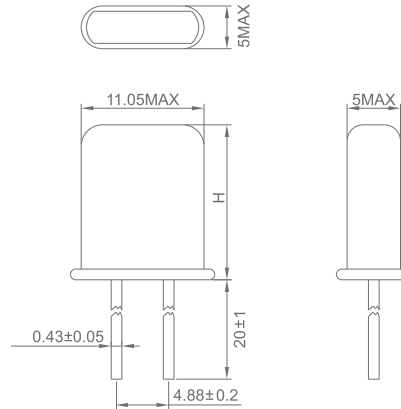


Dimensions(mm)



Choose	Type	H	Type Code
<input type="checkbox"/>	HC-49U	13.5	QRDU
<input type="checkbox"/>	HC-49T	11.0	QRDT

GENERIC SPECIFICATION

ITEM		QRDU HC-49U	QRDT HC-49T	REMARK
Nominal Frequency Range		1.8MHz to 40.0MHz	3.5MHz to 40.0MHz	Fund. Mode/ AT
		25.0MHz to 180.0MHz		Overtone mode
Frequency tolerance @ 25°C		±5ppm to ±100 ppm		Others are offered
Load Capacitance		8 pF to ∞pF for Fund. Mode		Please specify
Frequency temperature characteristics		±5ppm to ±100 ppm		Others are offered
Temperature Range	Storage Temp.	-40°C~+85°C/-55°C~ +125°C		
	Operating Temp.	-10°C~ +60°C to -40°C~" +85°C		Others are offered
Drive Level		10uW to 1mW (Typical: 10uW)		Please specify
Equivalent Series Resistance		As Per Table		
Shunt Capacitance		7.0pF Max.		
Insulation Resistance		More than 500MΩ @ DC 1 00V		
Aging		First year ±3ppm		

MOTIONAL (SERIES) RESISTANCE (R1)

Frequency Range	1.8MHz-3MHz	3MHz-6MHz	6MHz-8MHz	8MHz-40MHz	25MHz-185MHz
Mode	Fundamental	Fundamental	Fundamental	3 rd , Overtone	3 rd , Overtone
R1	500~300Ω max	100~80Ω max	50Ω max	25Ω max	50~120Ω max