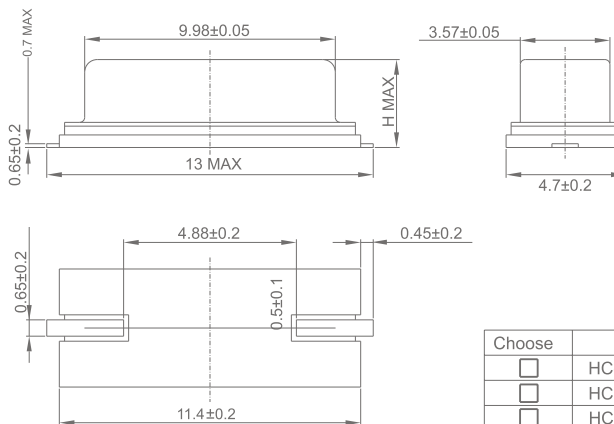


Dimensions(mm)



Choose	Type	H	Type Code
<input type="checkbox"/>	HC-49SMD	4.2	QRSD
<input type="checkbox"/>	HC-49SSMD	3.2	QRSE
<input type="checkbox"/>	HC-49S3SMD	2.7	QRSC

GENERIC SPECIFICATION

ITEM		QRSD HC-49SMD	QRSE HC-49SSMD / QRSC-49S3SMD	REMARK
Nominal Frequency Range		3.5MHz to 40.0MHz	6.0MHz to 40.0MHz	Fund. Mode/AT
		24.0MHz to 100.0MHz	27.0MHz to 100.0MHz	3 rd , Overtone
Frequency tolerance @ 25°C		±5ppm to ±100 ppm		Others are offered
Load Capacitance		5 pF to ∞pF for Fund. Mode		Please specify
Frequency temperature characteristics		±10ppm to ±100 ppm		Others are offered
Temperature Range	Storage Temp.	-40°C- +85°C/-55°C- +125°C		Others are offered
	Operating Temp.	-10°C- +60°C to -40°C- +85°C		
Drive Level		10uW to 500uW(Typical:10uW)		Please specify
Equivalent Series Resistance		As Per Table		
Shunt Capacitance		5.0pF Max.		
Insulation Resistance		More than 50MΩ @ DC 100V		
Aging		First year ±3ppm		

MOTIONAL (SERIES) RESISTANCE (R1)

Frequency Range	3.5MHz-6MHz	6MHz-10MHz	10MHz-20MHz	20MHz-40MHz	24MHz-48MHz	48MHz-100MHz
Mode	Fundamental	Fundamental	Fundamental	Fundamental	3 rd , Overtone	3 rd , Overtone
R1	150Ω max	80Ω max	40Ω max	30Ω max	80Ω max	40Ω max