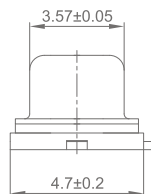
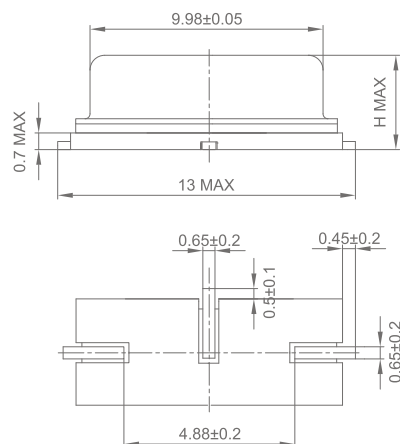


Dimensions(mm)



Choose	Type	H	Type Code
<input type="checkbox"/>	HC-49SMD3	4.2	QRSN
<input type="checkbox"/>	HC-49SSMD 3	3.2	QRSR
<input type="checkbox"/>	HC-49S3SMD3	2.7	QRSL

GENERIC SPECIFICATION

ITEM		QRSN HC-49SMD3 / QRSR HC-49SSMD3 / QRSL HC-49S3SMD3	REMARK
Nominal Frequency Range		3.5MHz to 40.0MHz	Fund. Mode/ AT or BT
		24.0MHz to 100.0MHz	Overtone mode
Frequency tolerance @ 25°C		±5ppm to ±100 ppm	Others are offered
Load Capacitance		5 pF to pF for Fund. Mode	Need to specify your requirement
Frequency temperature characteristics		±10ppm to ±100 ppm	Others are offered
Temperature Range	Storage Temp.	-40°C~+85°C/-55°C~ +125°C	Others are offered
	Operating Temp.	-10°C~ +60°C to -40°C~ +85°C	
Drive Level		1 0uW to 500uW(Typical:10uW)	Please specify
Equivalent Series Resistance		As Per Table	
Shunt Capacitance		5.0pF Max.	
Insulation Resistance		More than 500MΩ @ DC 100V	
Aging		First year ±3ppm	

MOTIONAL (SERIES) RESISTANCE (R1)

Frequency Range	3.5MHz-6MHz	6MHz-10MHz	10MHz-20MHz	20MHz-40MHz	24MHz-48MHz	48MHz-100MHz
Mode	Fundamental	Fundamental	Fundamental	Fundamental	3 rd , Overtone	3 rd , Overtone
R1	150Ω max	80Ω max	40Ω max	30Ω max	800 max	400 max