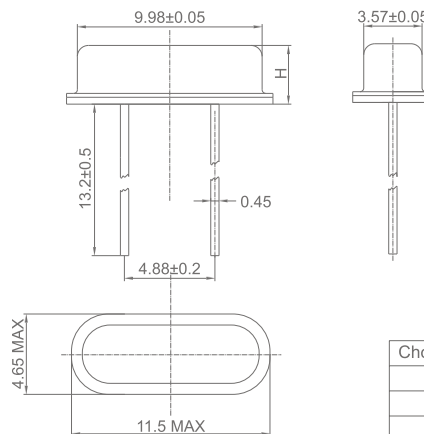


Dimensions(mm)



Choose	Type	H	Type Code
<input type="checkbox"/>	HC-49	3.5	QRDS
<input type="checkbox"/>	HC-49SS	2.8	QRDM
<input type="checkbox"/>	HC-49S3	2.3	QRDV

GENERIC SPECIFICATION

ITEM		QRDS HC-49S / QRDM HC-49SS / QRDV HC-49S3	REMARK
Nominal Frequency Range		3.5MHz to 40.0MHz	Fund. Mode/ AT or BT
		24.0MHz to 100.0MHz	Overtone mode
Frequency tolerance @ 25°C		±5ppm to ±100 ppm	Others are offered
Load Capacitance		5 pF to ∞pF for Fund. Mode	Need to specify your requirement
Frequency temperature characteristics		±5ppm to ±100 ppm	Others are offered
Temperature Range	Storage Temp.	-40°C~+85°C/-55°C~ +125°C	
	Operating Temp.	-10°C- +60°C to -40°C- +85°C	Others are offered
Drive Level		10uW to 500uW(Typical:10uW)	Please specify
Equivalent Series Resistance		As Per Table	
Shunt Capacitance		5.0pF Max.	
Insulation Resistance		More than 500MΩ @ DC 100V	
Aging		First year ±3ppm	

MOTIONAL (SERIES) RESISTANCE (R1)

Frequency Range	3.5MHz-6MHz	6MHz-10MHz	10MHz-20MHz	20MHz-40MHz	30MHz-48MHz	48MHz-100MHz
Mode	Fundamental	Fundamental	Fundamental	Fundamental	3 rd , Overtone	3 rd , Overtone
R1	150Ω max	80Ω max	40Ω max	30Ω max	80Ω max	40Ω max