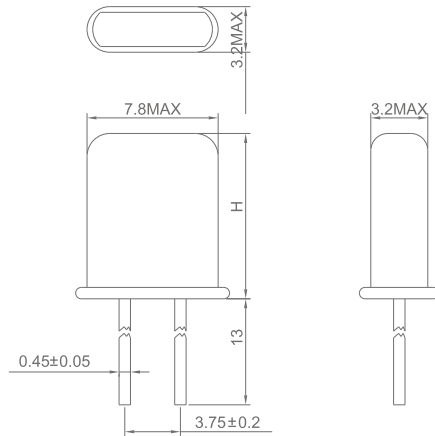


Dimensions(mm)



Choose	Type	H	Type Code
<input type="checkbox"/>	UM-1	8.2	QRDJ
<input type="checkbox"/>	UM-5	6.0	QRDK



GENERIC SPECIFICATION

ITEM		QRDJ UM-1 / QRDK UM-5	REMARK
Nominal Frequency Range		3.5MHz to 40.0MHz	Fund. Mode/ AT
		30.0MHz to 150.0MHz	Overtone mode
Frequency tolerance @ 25°C		±10ppm to ±100 ppm	Others are offered
Load Capacitance		10 pF to ∞pF for Fund. Mode	Please specify
Frequency temperature characteristics		±10ppm to ±50 ppm	
Temperature Range	Storage Temp.	-40°C~+85°C/-55°C~ +125°C	Others are offered
	Operating Temp.	-10°C- +60°C to -40°C- +85°C	Temperature Range
Drive Level		10uW to 500uW(Typical:10uW)	Please specify
Equivalent Series Resistance		As Per Table	
Shunt Capacitance		5.0pF Max.	
Insulation Resistance		More than 500MΩ @ DC 100V	
Aging		First year ±3ppm	

MOTIONAL (SERIES) RESISTANCE (R1)

Frequency Range	8MHz-10MHz	10MHz-15MHz	15MHz-20MHz	20MHz-40MHz	35MHz- 150MHz
Mode	Fundamental	Fundamental	Fundamental	3 <sup>rd</sup> , Overtone	3 <sup>rd</sup> , Overtone
R1	60Ω max	45Ω max	30Ω max	20Ω max	50~100Ω max