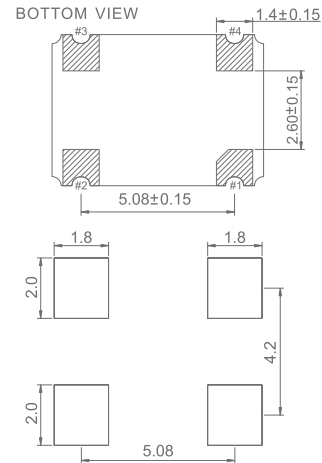
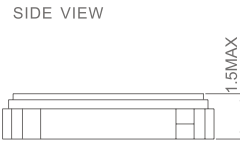
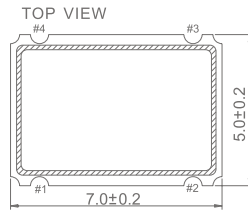


Dimensions(mm)



Pad	Function
#1	Tri-state/NC
#2	GND
#3	Output
#4	VDD

GENERIC SPECIFICATION

ITEM	3.3V	2.5V	1.8V	REMARK
Frequency Range	1.0MHz to 200.0MHz	1.0MHz to 133.0MHz	11.0MHz to 125.0MHz	
Frequency Stability *	±20, ±30, ±50 ppm			All Condition
Temperature Range	Storage Temp.	-55°C to +125°C		
	Operating Temp.	-20°C to +70°C		-40°C to +85°C option
Power Supply Voltage	3.3V ± 10%	2.5V ±10%	1.8V ± 10%	
Supply Current	1.0MHz≤Freq. < 36MHz	15mA max.	10mA max.	
	36MHz≤Freq. < 75MHz	20mA max.	20mA max.	
	75MHz≤Freq.<125MHz	35mA max.	30mA max.	
	125MHz≤Freq.≤200MHz	45mA max.	40mA max.	--
Output Symmetry (at 1/2Vdd)	40~60%			45~55% option
Rise Time (10%-90%Vdd)	5nS max.			
Fall Time (90%-10%Vdd)	5nS max.			
Output Voltage	VoH	90% Vdd min		
	VoL	10% Vdd max		
Output Load (HCOMS Load)	30pF (Typical)			Typical: 15pF
Start-up Time	5mS max			
Pin 1, Tri-state function	Pin1=H or open Output active at Pin3 Pint=L.... high impedance at Pin3, No Output.			
Aginc	First year ±3ppm			