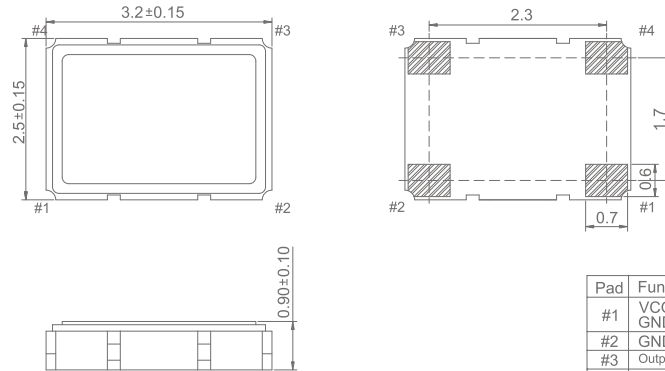


Dimensions(mm)



GENERIC SPECIFICATION

PARAMETER		3.0V		2.5V		1.8V		UNIT
		Min	Max	Min	Max	Min	Max	
Frequency Range		10.0MHz to 52.0MHz						
Frequency Tolerance		±2.0						PPM
Temperature Range	Storage Temp.	-55 to +125						°C
	Operating Temp.	-20 to +70 / -40 to +85						
Vs Operating Temperature Range		±0.5/ ±1.0/±2.0						PPM
Frequency Stability	Vs Voltage(±5%) change (Clipped sine wave)	±0.2Max						PPM
	Vs Load(±10%) change	±0.2Max						
	Vs Aging (at1st Year)	±0.1Max						
Supply Current	10MHz≤Fo<26MHz	---	2.0	---	2.0	---	2.0	mA
	26MHz≤Fo≤52MHz	---	2.5	---	2.5	---	2.5	
Output Load	Clipped sine wave	0.8	---	0.8	---	0.8	---	Vp-p
	Clipped sine wave	10KΩ / 10PF						
Control Voltage Range(VCTCXO)		0.5	2.5	0.4	2.4	0.3	1.5	V
Pulling Range(VCTCXO)		±5.0	---	±5.0	---	±5.0	---	PPM
VC Input Impedance(VCTCXO)		500	---	500	---	500	---	KΩ
Start Time		---	2	---	2	---	2	mSec.
Phase Noise	100Hz	---	-115	---	-115	---	-115	dBc/Hz
	1000Hz	---	-135	---	-135	---	-135	
	10KHz	----	-148	---	-148	---	-148	